

# Pressure gauges with Bourdon tube and glycerine filling with stainless steel case



Diameter 63  
connection position radial bottom,  
or central back



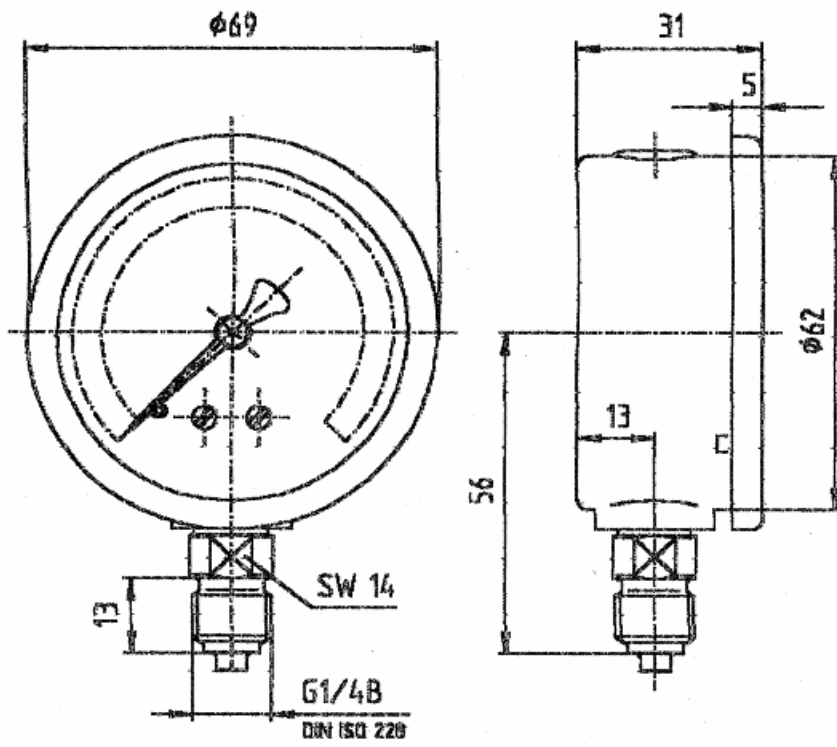
The glycerine filling of the case protects the measuring systems against wear by pulsating pressures and mechanical vibration; at the same time it provides lubrication of the moving parts.

The glycerine pressure gauges are suitable for gaseous and liquid media that do not corrode copper alloys.

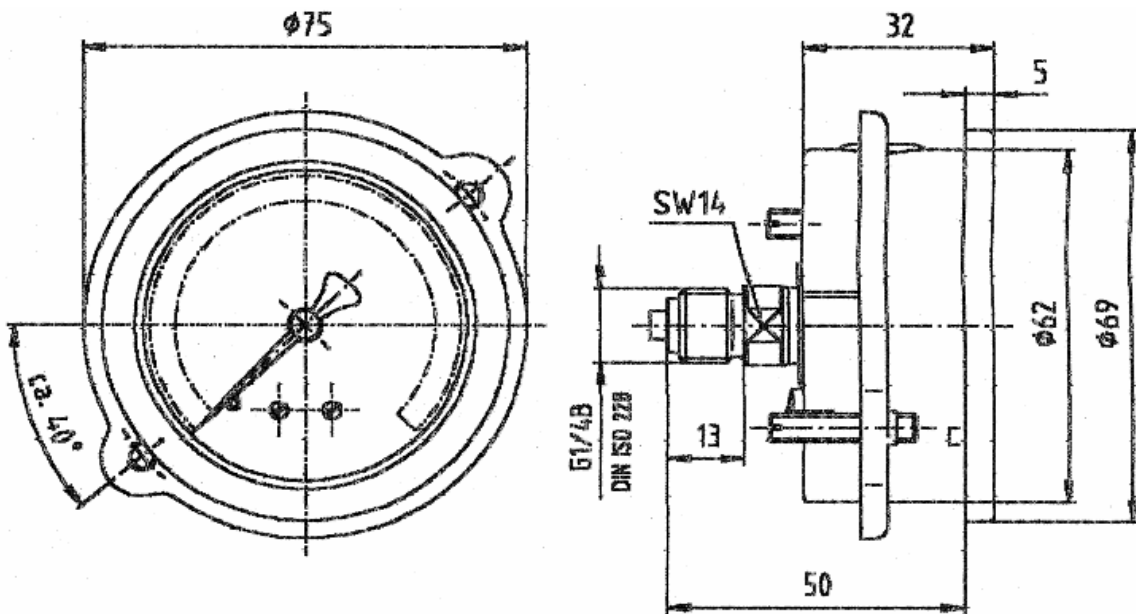
The pressure gauges are equipped with a pressure compensating diaphragm.

Types	4531	4541	Options
Diameter	63		
Symbol			
Accuracy class	1,6 acc. to DIN EN 837-1		
Measuring ranges	0...1 to 0...1000 bar acc. to DIN EN 837-1 negative gauge pressure or positive / negative gauge pressure		
Applications	Constant load: 3/4 x end of scale value Alternating load: 2/3 x end of scale value		
Case	Stainless steel 1.4301		
Ring	Stainless steel 1.4301 polished		Front flange Triangular front ring
Window	Plexiglass		Safety-or flat instrument glass
Dial	Al white, scale and printing black		Dual scale
Pointer	Al black		Max. indicator, marker pointer
Movement	CuZn-alloy, bearing parts German silver		
Measuring element	Cu-alloy up to 40 bar, over 40 bar stainless steel		
Pressure connection	CuZn-alloy		
Pressure position	radial bottom	eccentric back	
Pressure thread	G 1/4 B		Others on request
Temperatures	Medium: -20°C bis 80°C, ambient: -25°C bis 60°C		Special solder up to 130°C
Orifice			dmr. 0,3; dmr. 0,4; dmr. 0,8
Protection	IP 65		
Approx. Weights	0,21 kg	0,26 kg	

Types 4531, 4541



Types 4531



Types 4541