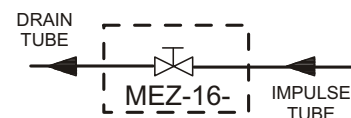


THE MEZ-type VALVES ARE DESIGNED FOR ASSEMBLING IN MEASUREMENT & CONTROL SYSTEMS. THEY ARE USED FOR SWITCHING ON THE FLOW, DIFFERENTIAL PRESSURE AND PRESSURE TRANSMITTERS FOR OPERATION, OR SWITCHING THEM OFF. THEY ENABLE ZERO AND RANGE CHECKING ON TRANSMITTERS AND BLOWING DOWN OF IMPULSE TUBES. THE VALVES ARE PROVIDED BY THE MANUFACTURER WITH SETTING KEY.

- high reliability
- different material versions for water, steam and oxygen
- body material: 15HM
- nominal pressure up to 4 MPa

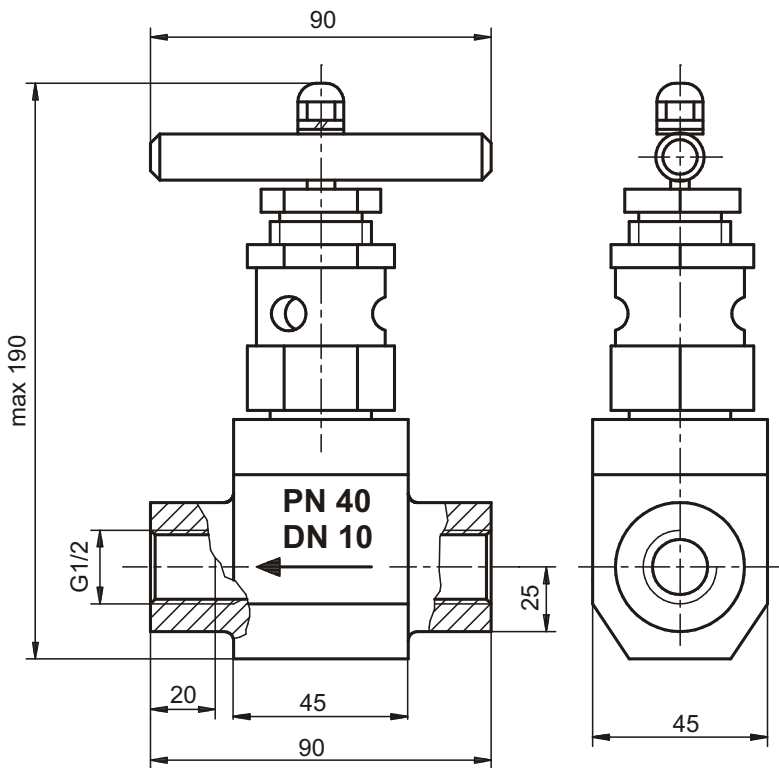
BLOCK DIAGRAM



TECHNICAL DATA

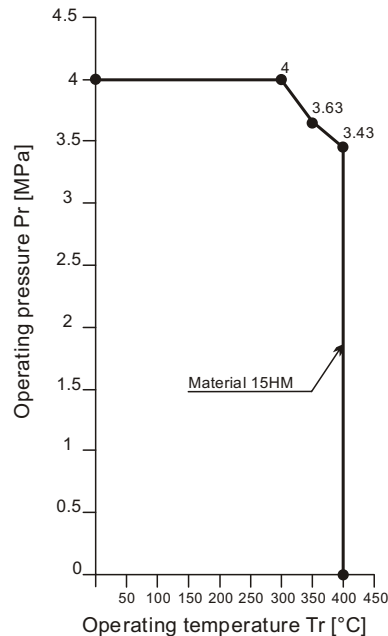
Valve type	MEZ-16-00
Nominal diameter [mm:]	DN 10
Nominal pressure:	4 MPa
Test pressure:	6 MPa
Highest operating temperature:	400°C
Numerical values of permissible operating pressures, in function of nominal pressure and operating temperature, acc. to PN-89/H-02650:	acc. to graph
Valve material:	steel 15HM
Valve sealing material:	graphite
Valve version:	standard
Mass:	2.5 kg

DIMENSIONED DRAWING of MEZ-16-00/0-0-5



GRAPH

Range of operating pressures versus operating temperature for valves type: MEZ-16-00



ORDERING OF MEZ-16- VALVES (MANIFOLDS)

MEZ-16-	Drain valve (manifold)
CODE1	VALVE BODY MATERIAL TYPE
00/	Steel 15HM
CODE2	APPLICATION AND CONNECTING TO TRANSMITTER
0-	for drain valves
CODE3	IMPULSE HOLES SPACING
0-	not concern (one hole)
CODE4	IMPULSE ENDS
5	internal thread G1/2
MEZ - 16 - 00 / 0 - 0 - 5 VALVE TYPE	

It is possible to make valves (namifolds) with:
 - ends for connect the valve (manifold) with instalation from material different as all alve (manifold)
 - it has to be denoted in the order after agreement with manufacturer

The right of introducing design changes in the product, without deteriorating of its operation parameters, is reserved.