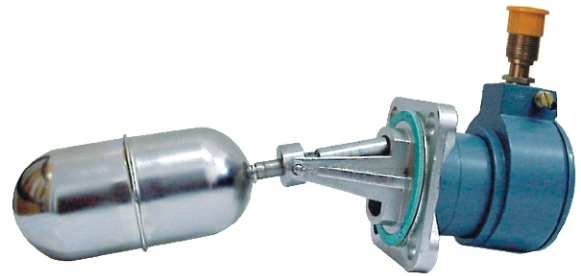


LEVEL SWITCHES type ERH-...-07

LEVEL SWITCHES IN MARINE VERSION (MARINE AND ACID-PROOF STAINLESS STEEL) ARE DESIGNED FOR SIGNALLING OF LIQUID LIMIT LEVELS OR TWO-TERM LIQUID LEVEL CONTROL IN OPEN AND CLOSED PRESSURIZED TANKS, IN NON-EXPLOSIVE ATMOSPHERE. LEVEL SWITCHES CAN OPERATE ON SHIPS IN MARINE CLIMATE. THE LEVEL SWITCHES ARE PROVIDED WITH CERTIFICATES ISSUED BY GL, LR, DNV, ABS, PRS.

ACID-PROOF STAINLESS STEEL VERSION IS MARKED IN CATALOGUE AS “-K”.



- efficiency
- flexibility
- reliability
- easy operation



- **marine certificates:**
GL, LR, DNV, ABS, PRS



- **available versions:**
standard and acid-proof
stainless steel version
(submersible)

- **curve pipe type** “┌” and “└”

TECHNICAL DATA

Parameters	ERH-01-07	ERH-02-07	ERH-03-07	ERH-04-07
Switching hysteresis	10; 20; 30mm	10; 20; 30mm	100...400mm 50...250mm	32...1350mm
Repeatability	±15%	±15%	±15%; ±2%	±15%; ±2%
Mass - submersible version	1.8 kg	2.0 kg	2.1 kg	3.0 kg
Mass - submersible acid-proof version	2.6 kg	2,8 kg	2,9 kg	3,8 kg
Mass - 1 m cable	0,2 kg	0,2 kg	0,2 kg	0,2 kg
Static pressure of the medium	0.2 MPa			
Permissible temperature of the medium	70°C			
Ambient temperature	-25°C...+70°C			
Casing protection degree	IP 68			
Minimum liquid density	0.6 x 10 ⁻³ kg/cm ³			

ELECTRIC PARAMETERS OF MICROSWITCH:

Rated switching voltage U_e
AC-15 and DC 24V; 2,5A

Rated switching currents:
 I_e /AC 15 U_e 24V; 2,5A
 I_e /DC 13 U_e 24V; 2,5A

Switching durability:
AC-15 10^7
DC-13 5×10^8

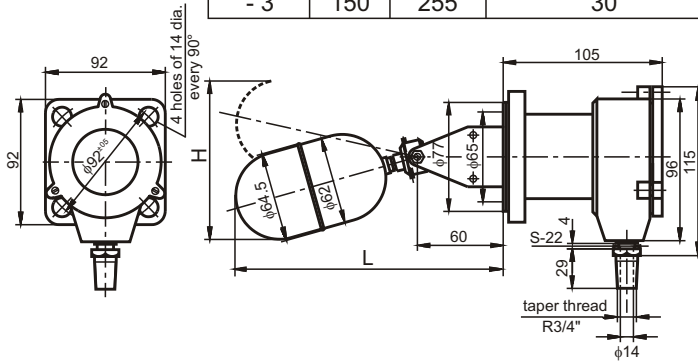
Minimal voltage and switching current: 10V; 20mA

Cross sections of connecting wires - for single-core wires: 1 sq. mm
- for multile-core wires: 1 sq. mm

DIMENSIONED DRAWINGS

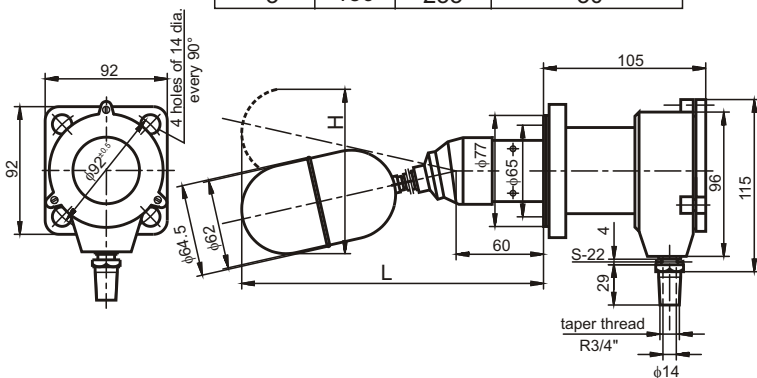
ERH-01-07

CODE	Hmm	Lmm	Hysteresis "h"
- 1	120	190	10
- 2	140	230	20
- 3	150	255	30



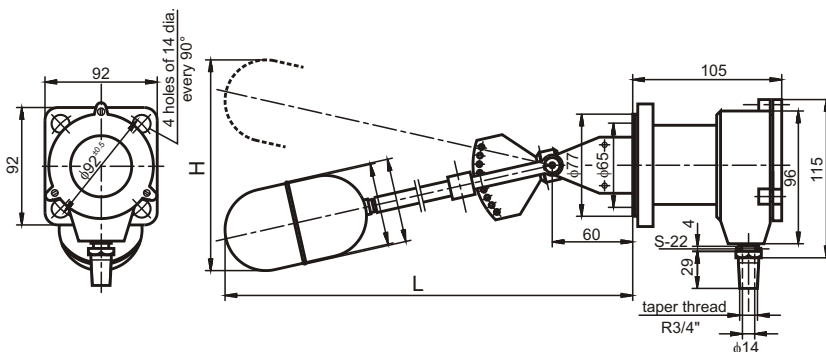
ERH-02-07

CODE	Hmm	Lmm	Hysteresis "h"
- 1	120	190	10
- 2	140	230	20
- 3	150	255	30

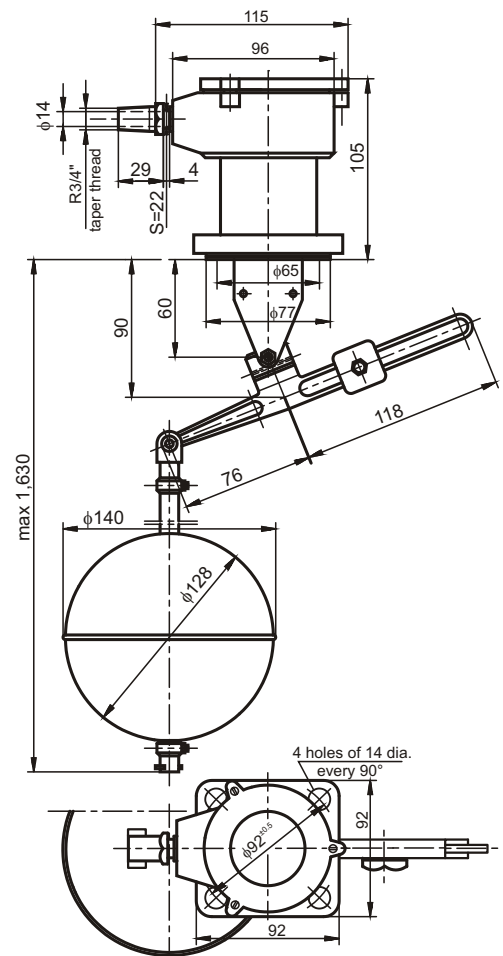


ERH-03-07

CODE	Hmm	Lmm	Hysteresis "h"
- 1	680	510	From 100 to 400
- 2	450	380	From 50 to 250

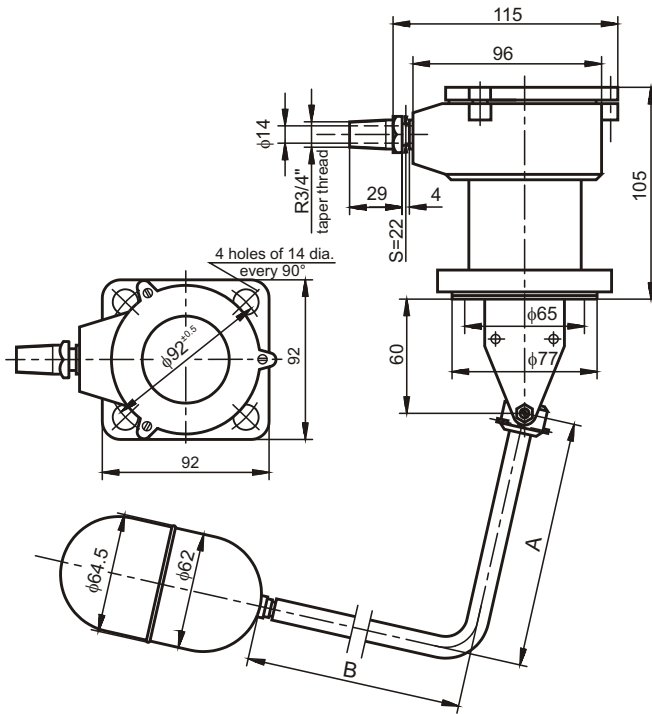


ERH-04-07

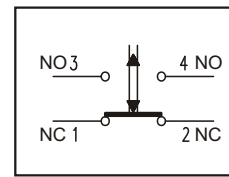


ERH-01-07-4-1-1

Level switch
with curved tube dimensions: A=185, B=80; without cable



Electric circuit diagram of level switches

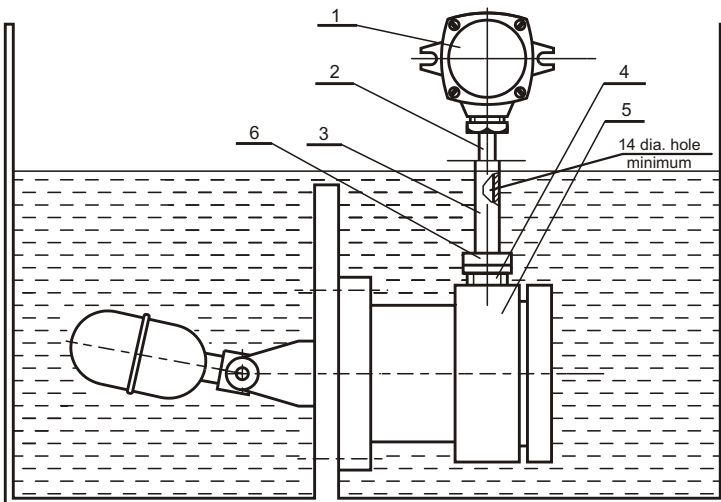
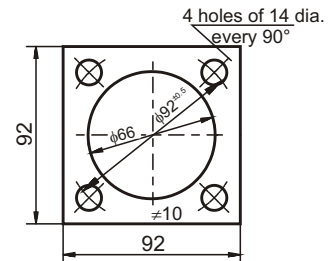


NC - closing contact
NO - opening contact

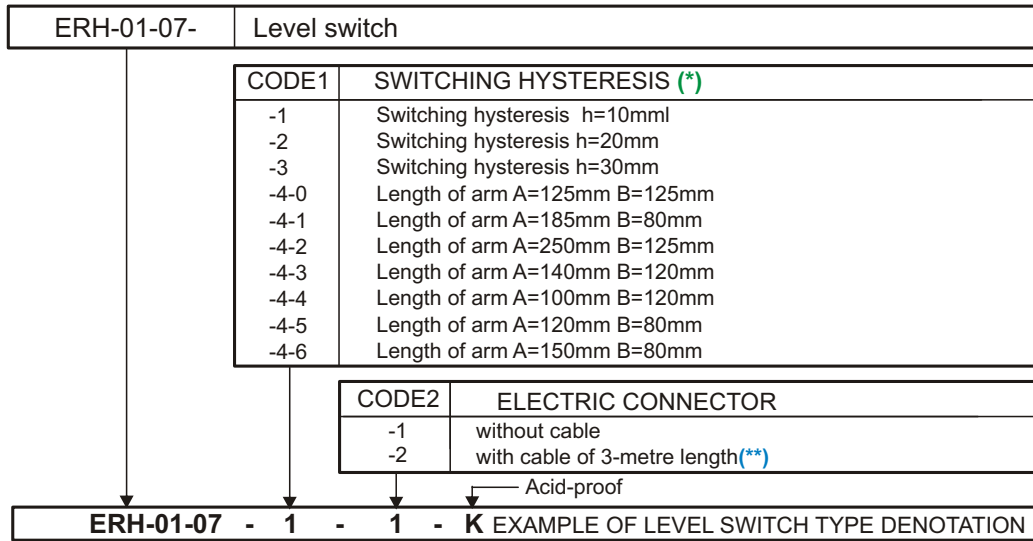
Required method of level switch installation, with electric connector in version -1

- 1 - Branch seat (not included in level switch equipment)
- 2 - Cable
- 3 - Tube with screw fasteners (not included in level switch equipment)
- 4 - Gland insert
- 5 - Level switch
- 6 - End with taper thread R3/4"

Dimensions of connecting flange

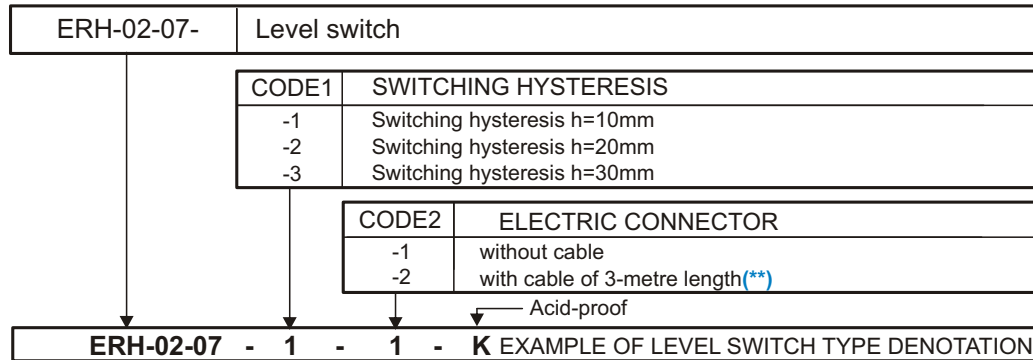


ORDERING OF LEVEL SWITCH TYPE ERH-01-07

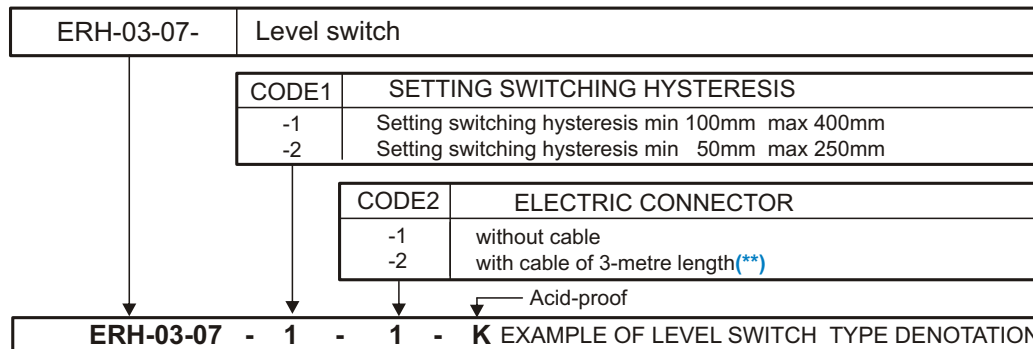


(*) other arm lengths available on client request (curve pipe type “ $_$ ” and “ $_$ ”)

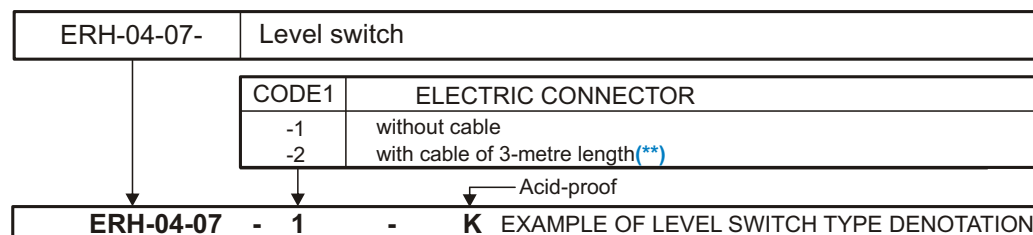
ORDERING OF LEVEL SWITCH TYPE ERH-02-07



ORDERING OF LEVEL SWITCH TYPE ERH-03-07



ORDERING OF LEVEL SWITCH TYPE ERH-04-07



(**) other cable lengths on client request

Example of ordering: level switch with switching hysteresis 10mm in acid-proof version with cable of 3 metre length **ERH-01-07-1-2-k**

The right of introducing design changes in the product, without deteriorating of its operation parameters, is reserved.